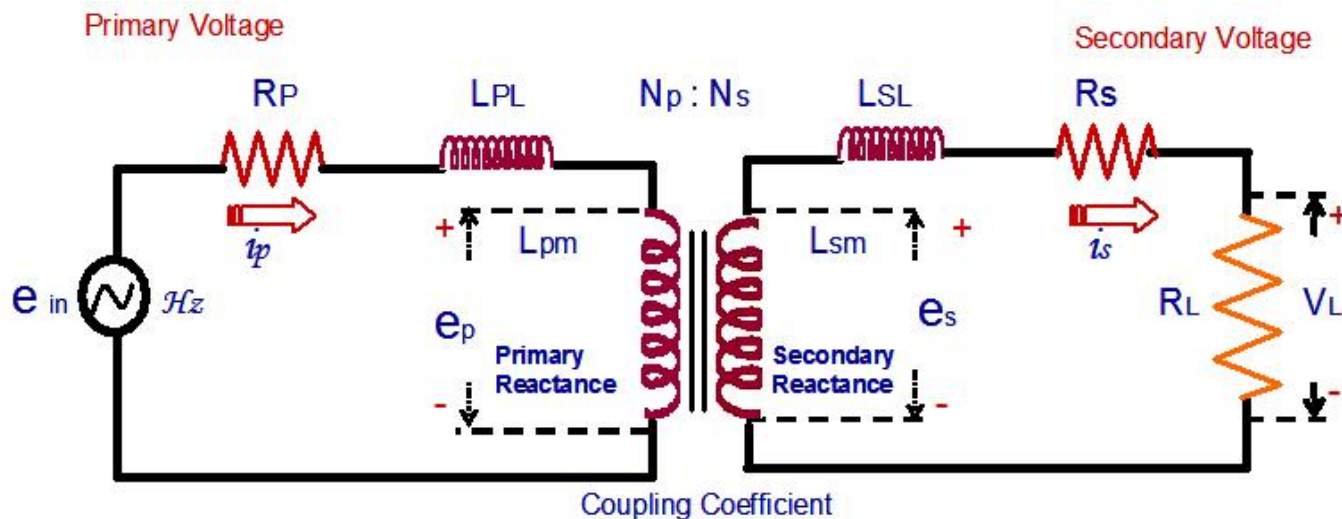


Transformer Regulation Calculations



Transformer ID:

Description:

Primary

Voltage (e_{in}): 11000 Volts
 Frecuenzy (Hz): 50 Hz
 Resistance (R_p): 0.1 Ohms
 Primary Reactance: 0.01 Henries
 Leakage XL (L_{pl}): 0.3142 Henries
 Voltage Divider (e_p): 10995.1 Volts

Secondary

Voltage: 400 Volts
 Coupling Coefficient: 0.9
 Resistance (R_s): 0.07 Ohms
 Load (R_L): 800 Amps
 Secondary Reactance: 0.007 Henries
 Leakage XL (L_{sl}): 0.2199 Henries
 Voltage Divider (e_s): 399.8 Volts
Voltage (VI): 327.2 Volts